



Vi-guard

GENERAL TECHNICAL PRODUCT BROCHURE

2024 EDITION



TABLE OF CONTENTS

*Your comprehensive guide to state of the art fencing and gate access products
Utilized throughout South Africa and around the world.*

Page 1

An introduction into the world of Vi-guard

Page 1

The many benefits of partnering with us

Page 2 / 3

General Technical Specifications - Vi-guard Fencing Products

Page 4

ProMax (12mm x 76mm) – Explained and Illustrated

Page 5

Max (25mm x 76mm) – Explained and Illustrated

Page 6

ProLite (50mm x 76mm) – Explained and Illustrated

Page 7

Gate Access Systems – Explained and Illustrated

Page 8

Optional Extras– Explained and Illustrated

Page 9

Project and Customer References

ABOUT US

“Our vigorous attention to detail at every stage of the project is the primary reason that we are a preferred supplier for thousands of South African companies, leading architects, property managers, specifiers and their discerning clients...”

A BRIEF INTRODUCTION

We are a private company supplying specialist turnkey boundary perimeter security fencing systems, in multiple market segments, commercial, industrial and mining sectors, locally and north of our borders into various African countries.

There are no tasks too small or projects too large, that our **Vi-guarD** range of fencing products and services do not cater for, having built a trusted reputation for designing, constructing and installing superior quality fencing and gate access systems

Our differentiating factor is based on service excellence, appropriate solution provision, unrivalled quality in product and workmanship, always at the right price.

We offer an extensive range of innovative, aesthetically pleasing, high quality product to secure people, property, premises and assets.

BENEFITS OF PARTNERING WITH US

Custom designed dynamically engineered solutions.

Extensive knowledge gained from experience.

Highly competitive pricing due to economies of scale.

Good procurement practice and refined supplier relationships.

Stress-free project management from initial design to final installation.

Your project delivered on time and to budget

GENERAL TECHNICAL SPECIFICATIONS

We take immense pride in delivering not just a product, but a promise – the promise of uncompromising quality, security, and durability. What sets our Vi-guarD clear view fencing products apart is not just its high-quality, high-security and innovative design but the commitment to excellence that comes with being a locally manufactured solution in the heart of **South Africa**. Our economy, our community need home grown products to move us into a productive and profitable future.

Crafted with Precision in South Africa:

Vi-guarD clear view fencing is proudly born and bred in South Africa, a testament to our dedication to supporting local industries and communities. Every panel, every post, and every component is meticulously crafted in our state-of-the-art, ISO accredited factory, ensuring that each product meets the highest standards of quality and precision.



SABS Approval: A Seal of Trust:

Our commitment to quality is further underscored by the fact that Vi-guarD is SABS approved. This prestigious certification is not easily earned and speaks volumes about the reliability and safety of our product. When you choose Vi-guarD, you are choosing a fencing solution that has met rigorous industry standards and passed with flying colours.



A Decade and more of Confidence:

We understand that security is a long-term investment, which is why we confidently stand by our product with a 10-year guarantee on all manufactured components. This guarantee reflects not just our confidence in the durability of Vi-guarD but our commitment to providing you with peace of mind for years to come.



Global Standards, Local Excellence: While Vi-guarD clear view fencing is proudly South African, its quality is recognized on a global scale. Our ISO accreditation signifies that our manufacturing processes adhere to international standards, ensuring that your investment in security is backed by a product that competes with the best, both locally and internationally

GENERAL TECHNICAL SPECIFICATIONS

Standard Product Range

ProMax: Ref 577	ProMax: Ref 519	Max: Ref 359	ProLite: Ref 254
ProMax 1.2m (h) x 3.0m (w) 3x4mm wire thickness 12mm x 76mm aperture	ProMax 1.2m (h) x 3.0m (w) 3x3mm wire thickness 12mm x 76mm aperture	Max 1.2m (h) x 3.0m (w) 3x4mm wire thickness 25mm x 76mm aperture	ProLite 1.2m (h) x 3.0m (w) 3x3mm wire thickness 50mm x 76mm aperture
ProMax 1.8m (h) x 3.0m (w) 3x4mm wire thickness 12mm x 76mm aperture	ProMax 1.8m (h) x 3.0m (w) 3x3mm wire thickness 12mm x 76mm aperture	Max 1.8m (h) x 3.0m (w) 3x4mm wire thickness 25mm x 76mm aperture	ProLite 1.8m (h) x 3.0m (w) 3x3mm wire thickness 50mm x 76mm aperture
ProMax 2.0m (h) x 3.0m (w) 3x4mm wire thickness 12mm x 76mm aperture	ProMax 2.0m (h) x 3.0m (w) 3x3mm wire thickness 12mm x 76mm aperture	Max 2.0m (h) x 3.0m (w) 3x4mm wire thickness 25mm x 76mm aperture	ProLite 2.0m (h) x 3.0m (w) 3x3mm wire thickness 50mm x 76mm aperture
ProMax 2.1m (h) x 3.0m (w) 3x4mm wire thickness 12mm x 76mm aperture	ProMax 2.1m (h) x 3.0m (w) 3x3mm wire thickness 12mm x 76mm aperture	Max 2.1m (h) x 3.0m (w) 3x4mm wire thickness 25mm x 76mm aperture	ProLite 2.4m (h) x 3.0m (w) 3x3mm wire thickness 50mm x 76mm aperture
ProMax 2.4m (h) x 3.0m (w) 3x4mm wire thickness 12mm x 76mm aperture	ProMax 2.4m (h) x 3.0m (w) 3x3mm wire thickness 12mm x 76mm aperture	Max 2.4m (h) x 3.0m (w) 3x4mm wire thickness 25mm x 76mm aperture	
ProMax 3.0m (h) x 2.62m (w) 3x4mm wire thickness 12mm x 76mm aperture	ProMax 3.0m (h) x 2.62m (w) 3x3mm wire thickness 12mm x 76mm aperture		

Standard Technical Information

Tolerance on aperture	12 = 0.5mm / 25 = 0.75mm / 50 = 1.0mm / 100 = 1.5mm / 200 = 2.0mm		
Weld Penetration	Class A Heavy Pre-Galvanized to SANS 935 (7.5) Black (5%)		
Wire Arrangement	Vertical Aperture / Horizontal on Request		
Wire Composition	High Tensile Wire – 500 to 700 MpA		
Coating Options	Class A Galvanized	Powder Coated	Plascoat PVC
Sheet Bend Arrangement	4 V-Bends	40 Deg. Top Bend	40 Deg. Bottom Bend

The Vi-guarD range of welded mesh panel systems provide barrier solutions to a wide and varied range of applications including domestic, commercial & industrial security installations. Vi-guarD is flexible and can be fitted as a complete system or can be retrofitted to enhance existing perimeter fences. Rugged secure perimeter fencing solution enhancing the value of people, property and assets, aesthetically pleasing, offering maximum protection...

Vi-guarD ProMax Series

Unrivalled in quality, strength and security.

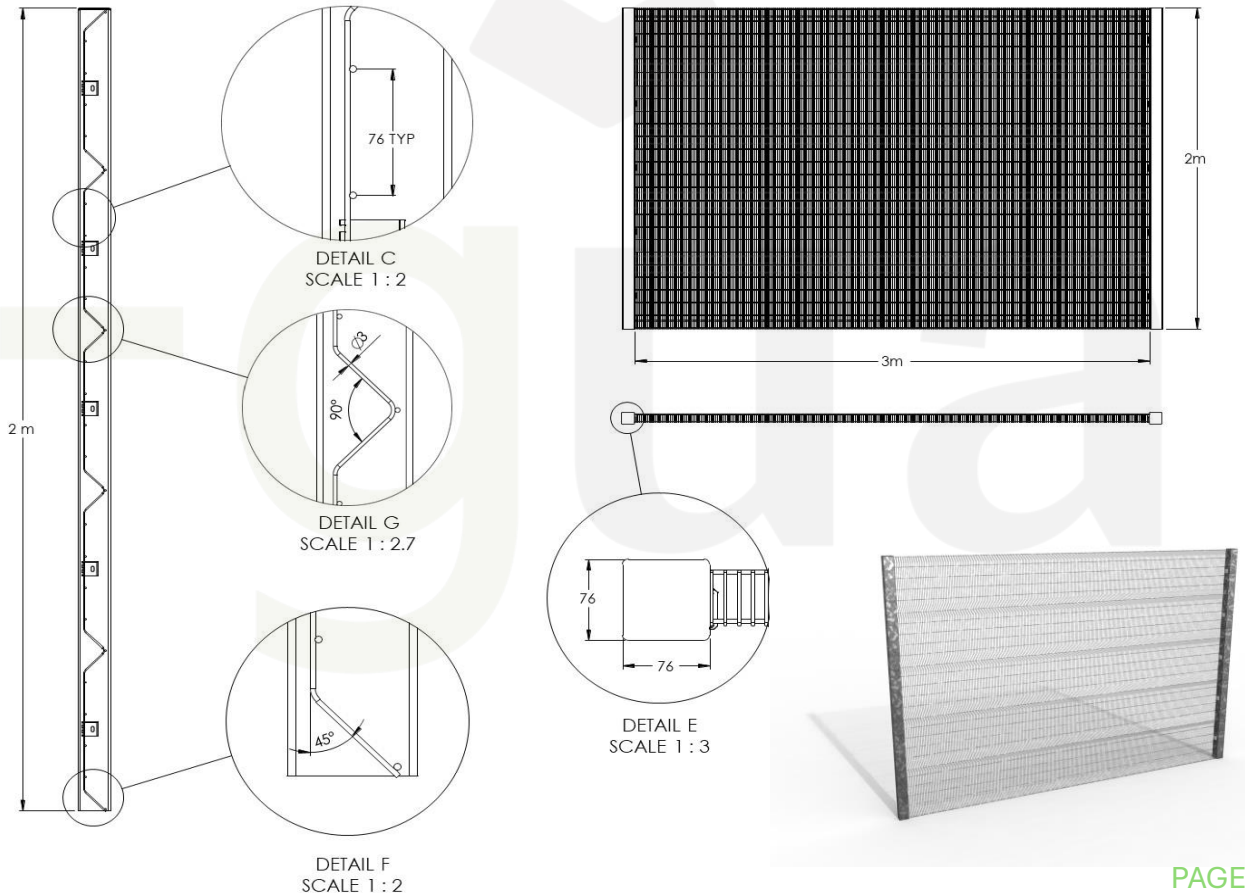
Vi-guarD ProMax is up to the challenge for every application, environment and situation.

ProMax Technical Detail

ProMax: Ref 519	Horizontal Dia.	Vertical Dia.	Panel Height	Panel Width	Panel Mass	Post Mass	Fixations Per Panel
1.8 (3x3 / 12x76)	3.0mm	3.0mm	1 800mm	3 000mm	29.55kg	13.60kg	8.00
2.0 (3x3 / 12x76)	3.0mm	3.0mm	2 000mm	3 000mm	32.68kg	14.40kg	10.00
2.1 (3x3 / 12x76)	3.0mm	3.0mm	2 100mm	3 000mm	34.31kg	15.20kg	10.00
2.4 (3x3 / 12x76)	3.0mm	3.0mm	2 400mm	3 000mm	38.50kg	16.00kg	12.00
3.0 (3x3 / 12x76)	3.0mm	3.0mm	3 000mm	2 625mm	46.20kg	19.20kg	16.00

ProMax: Ref 577	Horizontal Dia.	Vertical Dia.	Panel Height	Panel Width	Panel Mass	Post Mass	Fixations Per Panel
1.8 (3x3 / 12x76)	4.0mm	3.0mm	1 800mm	3 000mm	33.00kg	13.60kg	8.00
2.0 (3x3 / 12x76)	4.0mm	3.0mm	2 000mm	3 000mm	36.50kg	14.40kg	10.00
2.1 (3x3 / 12x76)	4.0mm	3.0mm	2 100mm	3 000mm	38.33kg	15.20kg	10.00
2.4 (3x3 / 12x76)	4.0mm	3.0mm	2 400mm	3 000mm	43.00kg	16.00kg	12.00
3.0 (3x3 / 12x76)	4.0mm	3.0mm	3 000mm	2 625mm	51.60kg	19.20kg	16.00

ProMax Technical Drawing



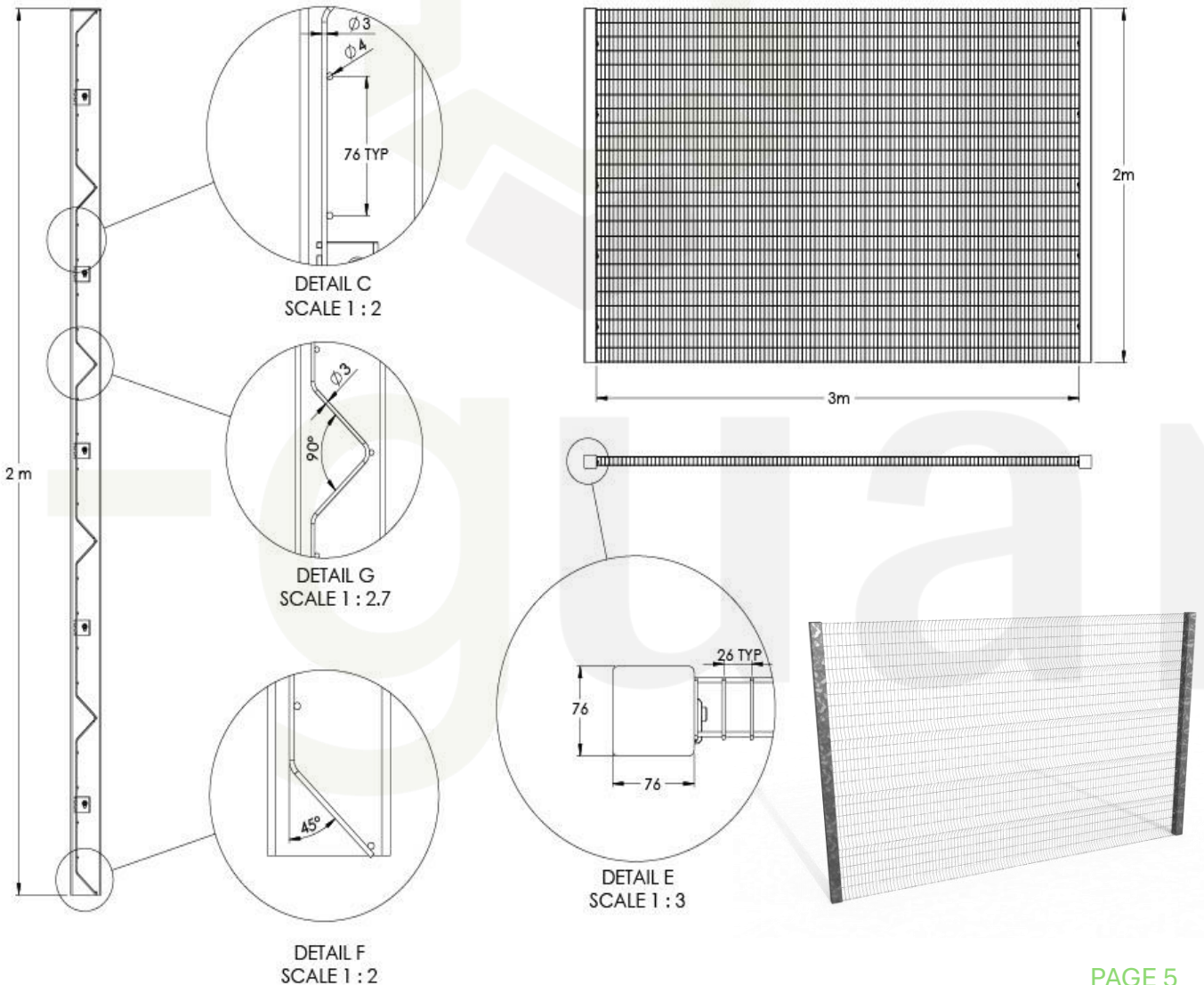
Vi-guarD Max Series

The perfect balance between security and affordability.
Vi-guarD Max is the unsung hero for hundreds of commercial, industrial and private projects.

Max Technical Detail

ProMax: Ref 519	Horizontal Dia.	Vertical Dia.	Panel Height	Panel Width	Panel Mass	Post Mass	Fixations Per Panel
1.8 (3x4 / 25x76)	4.0mm	3.0mm	1 800mm	3 000mm	29,55kg	13.60kg	8.00
2.0 (3x4 / 25x76)	4.0mm	3.0mm	2 000mm	3 000mm	32,68kg	14.40kg	10.00
2.1 (3x4 / 25x76)	4.0mm	3.0mm	2 100mm	3 000mm	34,31kg	15,20kg	10.00
2.4 (3x4 / 25x76)	4.0mm	3.0mm	2 400mm	3 000mm	38,50kg	16,00kg	12.00

Max Technical Drawing



Vi-guarD ProLite Series

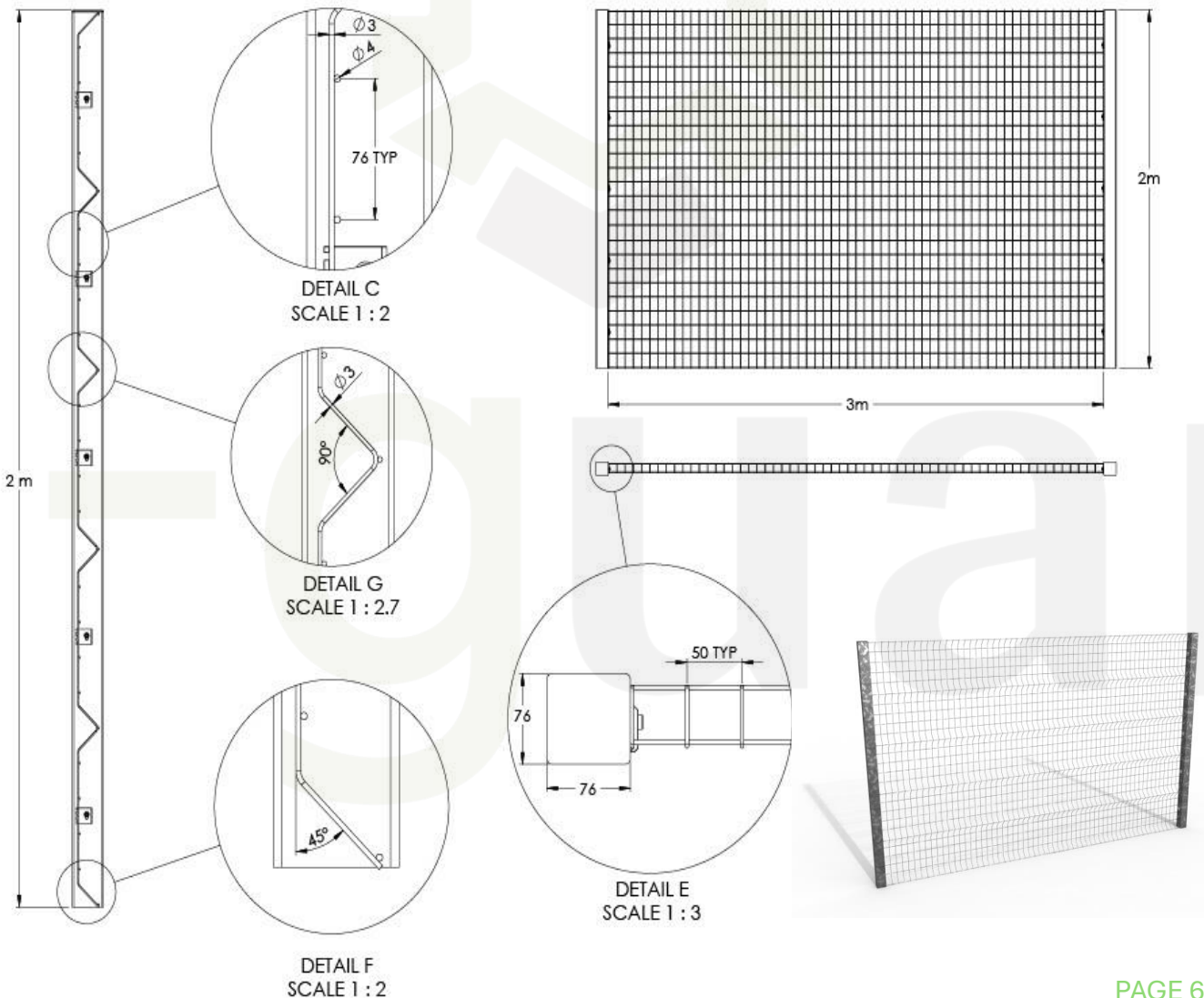
Gets the job done at the lowest price.

Vi-guarD ProLite is the perfect barrier solution for commercial and private residences.

ProLite Technical Detail

ProMax: Ref 519	Horizontal Dia.	Vertical Dia.	Panel Height	Panel Width	Panel Mass	Post Mass	Fixations Per Panel
1.8 (3x3 / 50x76)	3.0mm	3.0mm	1 800mm	3 000mm	20,69kg	13.60kg	8.00
2.0 (3x3 / 50x76)	3.0mm	3.0mm	2 000mm	3 000mm	22,88kg	14.40kg	10.00
2.4 (3x3 / 50x76)	3.0mm	3.0mm	2 400mm	3 000mm	25,22kg	16,00kg	12.00

ProLite Technical Drawing



Vi-guarD Gate Access Systems

High level, high security, transparent aesthetics.
 Gate access systems to suit any and all type of applications

Vi-guarD **swing gates** provide a traditional and aesthetically pleasing solution. These gates open either inward or outward, depending on customer preference and available space. The swing gate system includes high-quality support posts, ensuring stability and longevity. A robust locking mechanism adds an extra layer of security, and the gates are equipped with durable hinges for smooth operation.

For larger entrances or driveways, our **double swing gates** offer an expanded and more imposing solution. These gates consist of two panels that swing open simultaneously, providing a wider opening for vehicles or pedestrians. Similar to the single swing gates, the double swing gate system includes support posts, a reliable locking mechanism, and heavy-duty hinges. The components are designed to withstand the increased weight and stress associated with double gate configurations.

Vi-guarD **track sliding gates** are an excellent space-saving solution, ideal for properties with limited clearance for swinging gates. These gates operate smoothly along a track, minimizing the space required for gate movement. The track sliding gate system is complete with sturdy support posts, a secure locking mechanism, and precision-engineered rails and rollers. The sliding mechanism is designed for quiet and efficient operation, ensuring a seamless experience for users.

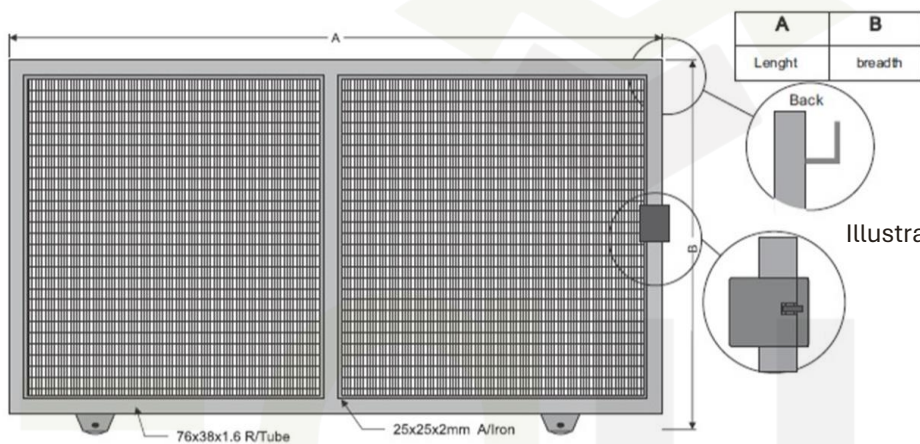


Illustration: Vi-guarD Track Sliding Gate

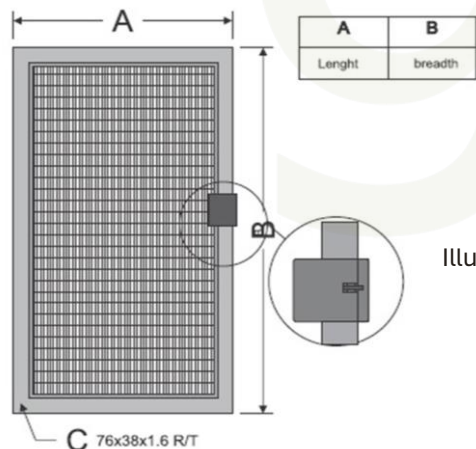


Illustration: Vi-guarD Swing / Pedestrian Gate

Vi-guarD Optional Extras

*From bottom to top.
The added layer of security for projects that are considered high risk.*

Vi-guarD Optional Extras	
Vi-Multi Spikes	Single Row / Lateral Mount – Including Tamper Proof Shear Off Nut / Bolt (1.5m Strip)
Vi-Msxi Spikes	Double Row / Top Mount – Including Tamper Proof Shear Off Nut / Bolt (1.5m Strip)
Flat-Wrap Razor Coil	500 to 700mm Approximate Extended Coils
Razor-Ripper Coil	500 to 700mm Approximate Extended Coils
Post Base Plates	Designed to Accommodate Solid Surface Mounts
Burrow Resist	Anti-Burrow / Under-Dig Panel System (400 to 600mm below ground level)
Safety File	Project Compliant Safety File as per Customers Requirements
Medicals	Project Compliant Medicals for Installation Team



Illustration:
Single Row / Lateral Mount
Vi-Multi Spikes



Illustration:
Double Row / Top Mount
Vi-Maxi Spikes



Illustration:
Safety and Medical Compliant



Illustration:
Flat-Wrap Razor Wire Overhang

Our optional extras are designed to enhance the protective capabilities of our products. Our spikes offer an additional deterrent, preventing unauthorized access and safeguarding your premises. The razor wire further reinforces perimeter protection, acting as a formidable barrier against intruders. The anti-burrow under dig panel system ensures comprehensive ground-level security, thwarting any attempts at tunnelling or unauthorized entry from below. Vi-guarD also prioritizes safety and medical compliance, providing optional features that adhere to the highest standards.

Vi-guarD Project References

14 years...
Thousands of projects...
Thousands of happy customers.



Batho Clinic – Free State Province



BME Group – Internal Warehouse



Broysens Magistrates Court



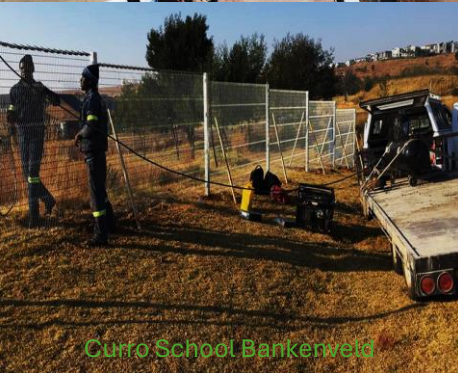
Johannesburg Court



Brothers Executive Auto - Roodepoort



Cullinan Diamond Mine



Curro School Bankerweld



Koster Primary School



Gardenshop Benetton



Glen Agricultural College



KIA Motors George



Thaba Chwee Boarding School

Vi-guarD takes pride in its extensive track record, having successfully completed thousands of projects across South Africa and beyond its borders. Our commitment to excellence and unwavering dedication to security solutions have positioned us as the preferred supplier for numerous South African businesses seeking top-tier Vi-guarD fencing. We understand the unique security challenges faced by businesses in diverse environments and have consistently delivered tailored solutions that meet and exceed expectations. Trust Vi-guarD to safeguard your premises with our proven expertise and a portfolio of successful projects that underscore our position as a trusted and reliable partner in the security industry.



Vi-guard

+27 (0) 11 956 3069 | +27 (0) 11 956 3022

connect@viguard.co.za | sales@viguard.co.za

www.viguard.co.za

